

SEALING GUIDELINES

Edge sealing

In all cases LEXAN™ THERMOCLEAR™ sheet should be mounted with the ribs running downwards to assist condensation water drainage. Algae growth, in the form of a green deposit inside the sheet channels, may occasionally be a problem. It is the result of permanent condensation inside the channels due to particular temperature conditions.

Since moisture build-up and dust/insect contamination inside the channels can be a major problem, one of the most important aspects of installation is edge sealing, particularly of the open-ended channels. There are several techniques that can be adopted to significantly reduce contamination, the choice depending largely on the prevailing environmental conditions.

Sealing Tape

It should be noted that the tape delivered on THERMOCLEAR sheet is for protection, during transportation and storage, only and is not an impermeable sealing/ installation tape. This tape should be replaced prior to installation with a tape as described below.

Before taping, approximately 50 mm of the masking should be removed from all sheet edges. The remaining masking should be removed only when installation is completed.

- The tape should have good weathering resistance, without loss of long-term adhesion or mechanical strength.
- The tape should have good resistance to tearing and other damage during installation and handling.
- In close co-operation with the company multifoil, an anti-dust impermeable tape G3600 and an anti-dust venting tape AD3400/AD4500 have been developed. Multifoil will provide within Europe a 10 Year Guarantee on the operation of the tapes.

MULTIFOIL B.V.

Laanakkerweg 12
4131 PA Vianen
The Netherlands
tel. +31 347 366 717
fax. +31 347 366 718

Figure 11

Sealing Guidelines

The following Guidelines are recommended to minimise sealing and contamination problems:

- Ensure that all sheet edges are smooth and rounded before applying the tape.
- All channels should be blown free of dust before sealing.
- Ensure tape is completely covered by glazing profiles, flashings, end closures, etc. No tape should be left exposed when installation is complete.
- Replace any damaged tape before final installation.
- Recommended sealing tapes for glazing LEXAN THERMOCLEAR sheet are available from most approved LEXAN THERMOCLEAR distributors and specialised installers.

Standard Glazing Conditions

In standard glazing conditions, the top end channels are sealed with an impermeable tape and the bottom end channels are sealed with a perforated filter tape (See fig. 11 and 12).

An additional 'U' profile can be installed to cover the perforated bottom tape and to facilitate condensation drainage (See fig. 15 and 16).

Figure 12

SEALING GUIDELINES

In semicircular barrel vaults both channel ends should be sealed with perforated filter tape e.g. multifoil AD 3400 (See fig. 13).

Care should be taken to provide a clearance between both the sheet edges and the sash platform to allow for condensation drainage (See fig. 14 and 15). In general the total rebate depth for each profile should include a minimum of 20 mm sheet edge engagement and an allowance for thermal expansion.

Figure 13

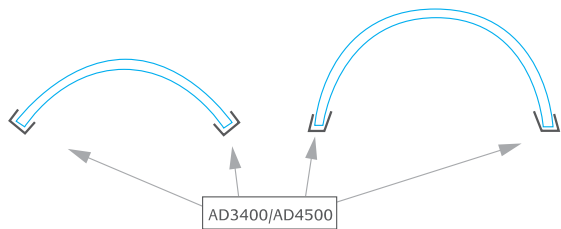
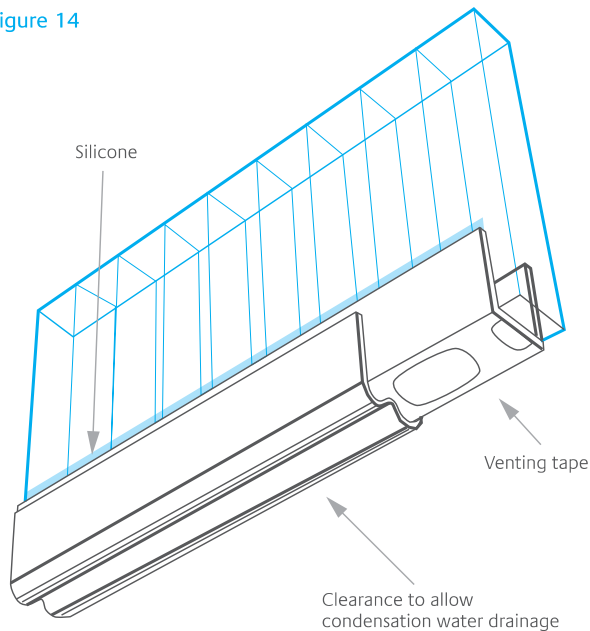


Figure 14



Specific Glazing Conditions

In certain environments, it is recommended that both channel ends are sealed with an impermeable tape (See fig. 16).

These environments include:

- Extremely dusty environments (sawmills – welding-stations, etc)
- Low humidity/dry conditions (shopping centres – warehouses, etc)
- Limited temperature difference between the interior and exterior (football stadium – metro/railway station roofing, etc)

Figure 16: Impermeable tape on both sides

